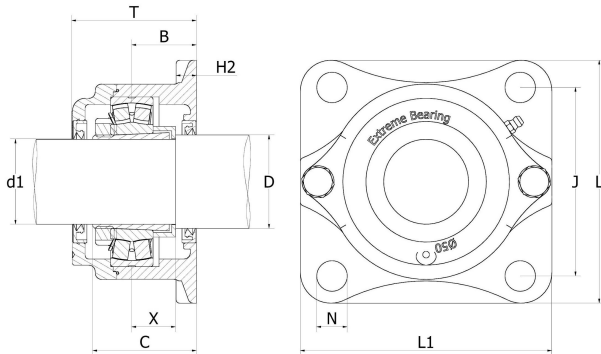




EXFP 4 Hole Flange Bearing

Double spherical roller bearing for radial in combination with axial force



See **tabs below** for more types!

The axial load depends on the radial load and how the load occur, impact or continuous load, temperature, speed and etcetera. It is quite complicated to made this calculation. Please feel free to [contact us](#) with your questions.

Typ	d		D		X	B	C	T	H2	J	L	L1	N	Grease hole	Basic load rating in KN		Limiting speed RPM	Axialload	Seal seat
	Metric	Imperial	Metric	Imperial											Dynamic	Static			
EXFP-024	23,81	15/16	28,57	1 1/8											59	62	6300	2,55 kN	42x7
EXFP-025	25	62/63	28,57	1 1/8	17	25	44	54	12	70	95	95	12	M6					
EXFP-A25	25,4	1	28,57	1 1/8															
EXFP-028	28,57	1 1/8	34,9	1 3/8															
EXFP-030	30	1 2/11	34,9	1 3/8	18	26	48	60	12	83	108	108	12	M6	81	88	5300	3,62 kN	47x7
EXFP-A30	30,16	1 3/16	34,9	1 3/8															
EXFP-032	31,75	1 1/4	38,1	1 1/2															
EXFP-A35	34,9	1 3/8	38,1	1 1/2	20	28	50	60	12	92	118	118	13	M6	88	100	4800	6,59 kN	52x7
EXFP-035	35	1 17/45	38,1	1 1/2															
EXFP-037	36,51	1 7/16	45	1 3/4															
EXFP-038	38,1	1 1/2	45	1 3/4	24	28	51	62	12	101	130	130	14	M6	95	105	4500	6,59 kN	62x7
EXFP-040	40	1 23/40	45	1 3/4															
EXFP-043	42,86	1 11/16	50,8	2															
EXFP-044	44,45	1 3/4	50,8	2	24	32	57	69	12	105	137	137	16	M6	100	120	4000	6,59 kN	62x7
EXFP-045	45	1 3/4	50,8	2															
EXFP-049	49,2	1 15/16	55	2 1/6															
EXFP-050	50	1 31/32	55	2 1/6	25	34	60	73	12	111	143	148	18	M6	120	140	3800	10,44 kN	72x7
EXFP-051	50,8	2	55	2 1/6															
EXFP-054	53,9	2 1/8	57,15	2 1/4	26	34	62	74	14	130	162	162	18	M6	145	175	3400	10,44 kN	72x7
EXFP-055	55	2 1/6	57,15	2 1/4															
EXFP-056	55,56	2 3/16	63,5	2 1/2															
EXFP-057	57,15	2 1/4	63,5	2 1/2	21,6	36	66	79	14	143	175	175	18	M6	180	220	3000	10,44 kN	82x7
EXFP-060	60	2 25/69	63,5	2 1/2															
EXFP-062	61,91	2 7/16	69,85	2 3/4															
EXFP-064	63,5	2 1/2	69,85	2 3/4	32	71	42	91	20	152	197	197	23	1/8" BSP	190	250	2800	15,17 kN	100x10
EXFP-065	65	2 52/93	69,85	2 3/4															
EXFP-068	68,26	2 11/16	76,2	3															
EXFP-A70	69,85	2 3/4	76,2	3	32	46	77	104	20	152	193	193	23	1/8" BSP	210	275	2600	15,17 kN	100x10
EXFP-070	70	2 65/86	76,2	3															
EXFP-074	74,61	2 15/16	82,55	3 1/4															
EXFP-075	75	2 20/21	82,55	3 1/4	33	47	87	104	24	159	200	200	23	1/8" BSP	250	325	2400	28,2 kN	110x12
EXFP-076	76,2	3	82,55	3 1/4															
EXFP-080	80	3 3/20	88,9	3 1/2															
EXFP-081	80,9	3 3/16	88,9	3 1/2	31	48	84	108	23	165	208	208	23	1/8" BSP	305	410	2200	28,2 kN	110x12
EXFP-083	82,55	3 1/4	88,9	3 1/2															
EXFP-087	87,31	3 7/16	101,6	4															
EXFP-089	88,9	3 1/2	101,6	4	35	52	92	122	22	187	235	235	23	1/8" BSP	375	500	2200	44 kN	130x12
EXFP-090	90	3 25/46	101,6	4															
EXFP-100	100	3 15/16	107,95	4 1/4	36	59	104	127	30	208	280	280	48	1/8"	405	575	1700	44 kN	130x12

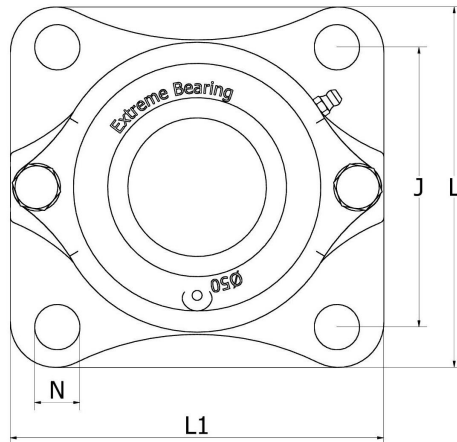
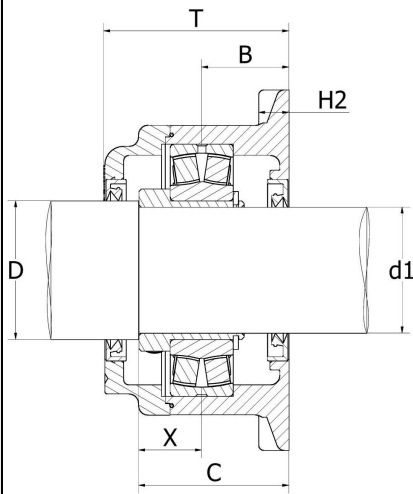
EXFP-102	101,6	4	107,95	4 1/4	30	59	104	127	30	300	300	100	40	BSP	405	375	1700	44 KN	130X12
----------	-------	---	--------	-------	----	----	-----	-----	----	-----	-----	-----	----	-----	-----	-----	------	-------	--------

See tabs below for more types!



EXFV 4 Hole Flange Bearing

Double spherical roller bearing for axial force



See tabs below for more types!

*The axial load is an indication. the permitted axial load depends on the radial load and how the load occur, impact or continuous load, temperature, speed and etcetera. It is quite complicated to made this calculation. Please feel free to contact us with your questions.

Vyp	d		D		X	B	C	T	H2	J	L	L1	N	Grease hole	Basic load rating in KN		Limiting speed	Axialload*	Seal seat
	Metric	Imperial	Metric	Imperial											Dynamic	Static	RPM		
EXFV-024	23,81	15/16	30	1 2/11											59	62	6300	29,5	42x7
EXFV-025	25	62/63	30	1 2/11	18	25	44	54	12	70	95	95	12	M6	59	62	6300	29,5	42x7
EXFV-A25	25,4	1	30	1 2/11															
EXFV-028	28,57	1 1/8	35	1 17/45															
EXFV-030	30	1 2/11	35	1 17/45	19,5	26	48	60	12	83	108	108	12	M6	81	88	5300	40,5	47x7
EXFV-A30	30,16	1 3/16	35	1 17/45															
EXFV-032	31,75	1 1/4	40	1 23/40															
EXFV-A35	34,9	1 3/8	40	1 23/40	19,5	28	50	60	12	92	118	118	13	M6	88	100	4800	44	52x7
EXFV-035	35	1 17/45	40	1 23/40															
EXFV-037	36,51	1 7/16	45	1 3/4															
EXFV-038	38,1	1 1/2	45	1 3/4	23,5	28	51	62	12	101	130	130	14	M6	95	105	4500	47,5	62x7
EXFV-040	40	1 23/40	45	1 3/4															
EXFV-043	42,86	1 11/16	50	1 15/16															
EXFV-044	44,45	1 3/4	50	1 31/32	23,5	32	57	69	12	105	137	137	16	M6	100	120	4000	50	62x7
EXFV-045	45	1 3/4	50	1 31/32															
EXFV-049	49,2	1 15/16	55	2 1/6															
EXFV-050	50	1 31/32	55	2 1/6	25,8	34	60	73	12	111	143	148	18	M6	120	140	3800	60	72x7
EXFV-051	50,8	2	55	2 1/6															
EXFV-054	53,9	2 1/8	60	2 25/69	27,3	34	62	74	14	130	162	162	18	M6	145	175	3400	72,5	72x7
EXFV-055	55	2 1/6	60	2 25/69															
EXFV-056	55,56	2 3/16	65	2 52/93															
EXFV-057	57,15	2 1/4	65	2 52/93	28,8	36	66	79	14	143	175	175	18	M6	180	220	3000	90	82x7
EXFV-060	60	2 25/69	65	2 52/93															
EXFV-062	61,91	2 7/16	70	2 65/86															
EXFV-064	63,5	2 1/2	70	2 65/86	31,5	71	42	91	20	152	197	197	23	1/8" BSP	190	250	2800	95	100x10
EXFV-065	65	2 52/93	70	2 65/86															
EXFV-068	68,26	2 11/16	75	2 20/21															
EXFV-A70	69,85	2 3/4	75	2 20/21	32,5	46	77	104	20	152	193	193	23	1/8" BSP	210	275	2600	105	100x10
EXFV-070	70	2 65/86	75	2 20/21															
EXFV-074	74,61	2 15/16	80	3 3/20															
EXFV-075	75	2 20/21	80	3 3/20	34	47	87	104	24	159	200	200	23	1/8" BSP	250	325	2400	125	110x12
EXFV-076	76,2	3	80	3 3/20															

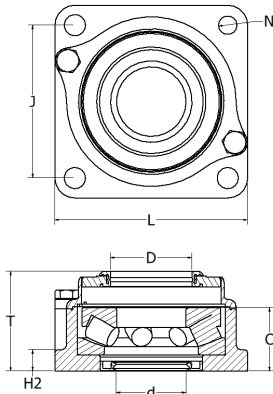
EXFV-080	80	3 3/20	90	3 25/46															
EXFV-081	80,9	3 3/16	90	3 25/46	33,3	48	84	108	23	165	208	208	23	1/8" BSP	305	410	2200	152,5	110x12
EXFV-083	82,55	3 1/4	90	3 25/46															
EXFV-087	87,31	3 7/16	100	3 15/16															
EXFV-089	88,9	3 1/2	100	3 15/16	36,3	52	92	122	22	187	235	235	23	1/8" BSP	375	500	2200	187,5	130x12
EXFV-090	90	3 25/46	100	3 15/16															
EXFV-100	100	3 15/16	110	7 21/4	39,8	59	104	127	30	308	380	100	48	1/8" BSP	405	575	1700	202,5	130x12
EXFV-102	101,6	4	110	8 21/4															

See **tabs below** for more types!



Technical datasheet

EXV Stainless steel 316 thrust bearing



See tabs below for more types!

Typ	d		D		C	T	H2	J	L	N	Grease hole	Bearing number	Basic load rating KN Vor spherical roller bearing	
	Metric	Imperial	Metric	Imperial									Dynamic	Static
EXV049			57,15	2 1/4										
EXV050	50	1 31/32	60	2 25/64	55	74	14	130	162	18	M6	29410	298	930
EXV051			61,91	2 7/16										
EXV056			68,26	2 11/16										
EXV057	60	2 25/64	69,85	2 3/4	52	104	20	152	193	23	1/8" BSP	29412	345	915
EXV060			70	2 65/86										
EXV062*			74,61	2 15/16										
EXV064*	65	2 52/93	75	2 20/21	74	104	20	152	193 huis 70	23	1/8" BSP	29413	397	1080
EXV065*			76,2	3										
EXVF80			90	3 25/46										
EXVG80	85	3 3/20	100	3 15/16	94	104	20	152	193 huis 70	23	1/8" BSP	29317	334	1060
EXVF81			101,6	4										
EXV068			80	3 3/20										
EXVA70	70	2 65/86	80,9	3 3/16	70	104	24	159	200 huis 75	23	1/8" BSP	29414	449	1250
EXV070			82,55	3 1/4										
EXVA75			87,31	3 7/16										
EXV075	75	2 20/21	88,9	3 1/2	69	108	23	165	208 huis 80	23	1/8" BSP	29415	518	1430
EXV076			90	3 25/46										
EXV080			87,31	3 7/16										
EXVA80	80	3 3/20	88,9	3 1/2	75	104	28	187	235 huis 90	23	1/8" BSP	29416	334	1060
EXV081			90	3 25/46										
EXV085			90	3 25/46										
EXVA85	85	3 3/20	100	3 15/16	75	104	28	187	235 huis 90	23	1/8" BSP	29417	633	1800
EXV086			101,6	4										
EXVA90			110	4 42/127										
EXV090	90	2 20/21	120	4 92/127	66	108	23	165	208 huis 80	23	1/8" BSP	29318	345	1080
EXV090			127	5										
EXV110			140	5 65/127										
EXV111	110	3 15/16	139,7	5.5	59	104	28	187	235 huis 90	23	1/8" BSP	29322	334	1060
EXV100			120	4 92/127										
EXV101	100	3 15/16	127	5	80	127	30	308	380 huis 100	48	1/8" BSP	29322	535	1770
EXVA90			110	4 42/127										
EXV090	90	2 20/21	120	4 92/127	92	127	30	308	380 huis 100	48	1/8" BSP	29418	702	2000

