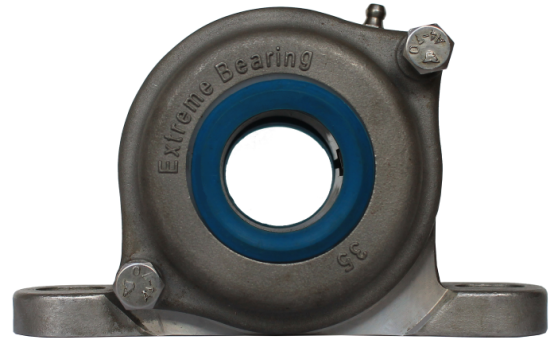
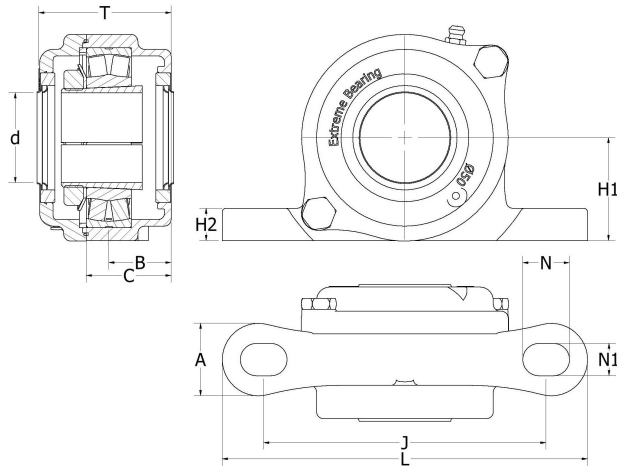


EXST Pillow block bearing

Double spherical roller bearing + adapter



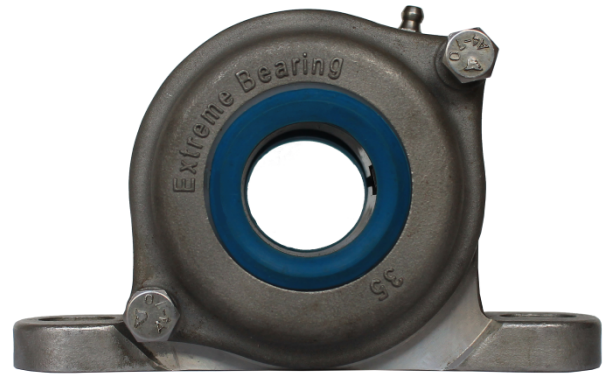
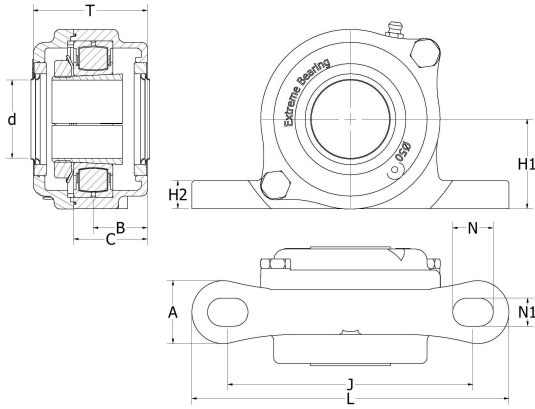
See tabs below for more types!

Type	d		B	C	T	H	H1	H2	J	L	K	N	n1	Grease hole	Basic load rating in KN		Limiting speed RPM	Axial movement	Seal seat
	Metric	Imperial													Dynamic	Static			
EXST-024	23,81	15/16																	
EXST-025	25	62/63	25	44	54	73	36,5	12	102	130	30	20	12	M6	59	62	6300	3,5	42x7
EXST-A25	25,4	1																	
EXST-028	28,57	1 1/8																	
EXST-030	30	1 2/11	26	48	60	85	42,9	12	118	152	35	24	14	M6	81	88	5300	3,5	47x7
EXST-A30	30,16	1 3/16																	
EXST-032	31,75	1 1/4																	
EXST-A35	34,9	1 3/8	28	50	60	94	47,6	13	126	160	35	21	14	M6	88	100	4800	3,5	52x7
EXST-035	35	1 17/45																	
EXST-037	36,51	1 7/16																	
EXST-038	38,1	1 1/2	28	51	62	98	49,2	15	136	175	37	25	14	M6	95	105	4500	3,5	62x7
EXST-040	40	1 23/40																	
EXST-041	41,27	1 5/8																	
EXST-043	42,86	1 11/16																	
EXST-044	44,45	1 3/4	32	57	69	107	54	15	144	187	37	23	14	M6	100	120	4000	4	62x7
EXST-045	45	1 3/4																	
EXST-049	49,2	1 15/16																	
EXST-050	50	1 31/32	34	60	73	114	57,2	18	157	203	40	26	18	M6	120	140	3800	4	72x7
EXST-051	50,8	2																	
EXST-054*	53,9	2 1/8	34	62	74	127	63,5	18	172	219	44	28	18	M6	145	175	3400	4	72x7
EXST-055*	55	2 1/6																	
EXST-056	55,56	2 3/16																	
EXST-057	57,15	2 1/4	36	66	79	139	69,8	20	191	240	49	30	18	M6	180	220	3000	4	82x7
EXST-060	60	2 25/69																	
EXST-062	61,91	2 7/16																	
EXST-064	63,5	2 1/2	71	42	91	155	76,2	20	203	257	55	35	22	1/8" BSP	190	250	2800	6	100x10
EXST-065	65	2 52/93																	
EXST-068	68,26	2 11/16																	
EXST-A70	69,85	2 3/4	46	77	104	163	81,5 ²	20	210	266	60	30	25	1/8" BSP	210	275	2600	9	100x10
EXST-070	70	2 65/86																	
EXST-A75	74,61	2 15/16																	
EXST-075	75	2 20/21	47	87	104	163	82,5	24	217	275	65	30	25	1/8" BSP	250	325	2400	12,5	110x12
EXST-076	76,2	3																	
EXST-080	80	3 3/20																	
EXST-081	80,9	3 3/16	48	84	104	187	95	27	232	292	70	35	25	1/8" BSP	305	410	2200	5	110x12
EXST-083	82,55	3 1/4																	
EXST-087	87,31	3 7/16																	
EXST-089	88,9	3 1/2	46	87	104	210	105 ²	28	262	327	85	35	27	1/8" BSP	375	500	2200	12	130x12
EXST-090	90	3 25/46																	

EXST-100	100	3 15/16	59	104	127	227	115	30	308	380	100	48	26	1/8" BSP	405	575	1700	10	130x12
----------	-----	---------	----	-----	-----	-----	-----	----	-----	-----	-----	----	----	----------	-----	-----	------	----	--------

EXSE Pillow block bearing

Single row spherical roller bearing + adapter



See tabs below for more types!

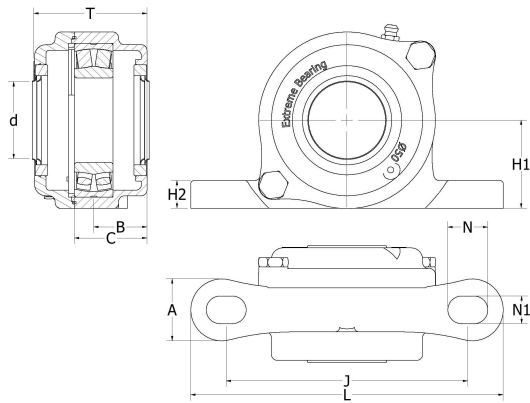
Type	d		B	C	T	H	H1	H2	J	L	K	N	n1	Grease hole	Basic load rating in KN		Limiting speed RPM	Axial movement	Seal seat
	Metric	Imperial													Dynamic	Static			
EXSE-024	23,81	15/16																	
EXSE-025	25	62/63	25	44	54	73	36,5	12	102	130	30	20	12	M6	50	55	6300	3,5	42x7
EXSE-A25	25,4	1																	
EXSE-028	28,57	1 1/8																	
EXSE-030	30	1 2/11	26	48	60	85	42,9	12	118	152	35	24	14	M6	68	78	5300	3,5	47x7
EXSE-A30	30,16	1 3/16																	
EXSE-032	31,75	1 1/4																	
EXSE-A35	34,9	1 3/8	28	50	60	94	47,6	13	126	160	35	21	14	M6	77	88	4800	3,5	52x7
EXSE-035	35	1 17/45																	
EXSE-037	36,51	1 7/16																	
EXSE-038	38,1	1 1/2	28	51	62	98	49,2	15	136	175	37	25	14	M6	80	95	4500	3,5	62x7
EXSE-040	40	1 23/40																	
EXSE-043	42,86	1 11/16																	
EXSE-044	44,45	1 3/4	32	57	69	107	54	15	144	187	37	23	14	M6	83	102	4000	4	62x7
EXSE-045	45	1 3/4																	
EXSE-049	49,2	1 15/16																	
EXSE-050	50	1 31/32	34	60	73	114	57,2	18	157	203	40	26	18	M6	102	125	3800	4	72x7
EXSE-051	50,8	2																	
EXSE-054*	53,9	2 1/8	34	62	74	127	63,5	18	172	219	44	28	18	M6	100	120	3400	4	72x7
EXSE-055*	55	2 1/6																	
EXSE-056	55,56	2 3/16																	
EXSE-057	57,15	2 1/4	36	66	79	139	69,8	20	191	240	49	30	18	M6	150	190	3000	4	82x7
EXSE-060	60	2 25/69																	
EXSE-062	61,91	2 7/16																	
EXSE-064	63,5	2 1/2	71	42	91	155	76,2	20	203	257	55	35	22	1/8" BSP	160	200	2800	6	100x10
EXSE-065	65	2 52/93																	
EXSE-068	68,26	2 11/16																	
EXSE-A70	69,85	2 3/4	46	77	104	163	81,5 ²	20	210	266	60	30	25	1/8" BSP	170	220	2600	9	100x10
EXSE-070	70	2 65/86																	
EXSE-A75	74,61	2 15/16																	
EXSE-075	75	2 20/21	47	87	104	163	82,5	24	217	275	65	30	25	1/8" BSP	250	325	2400	12,5	110x12
EXSE-076	76,2	3																	
EXSE-080	80	3 3/20																	
EXSE-081	80,9	3 3/16	48	84	104	187	95	27	232	292	70	35	25	1/8" BSP	210	270	2200	5	110x12
EXSE-083	82,55	3 1/4																	
EXSE-087	87,31	3 7/16																	

EXSE-089	88,9	3 1/2	46	87	104	210	105 ²	28	262	327	85	35	27	1/8" BSP	310	420	2200	12	130x12
EXSE-090	90	3 25/46																	
EXSE-100	100	3 15/16	59	104	127	227	115	30	308	380	100	48	26	1/8" BSP	410	570	1700	10	130x12



EXSTC Pillow block bearing

Double spherical cylindrical roller bearing



See **tabs below** for more types!

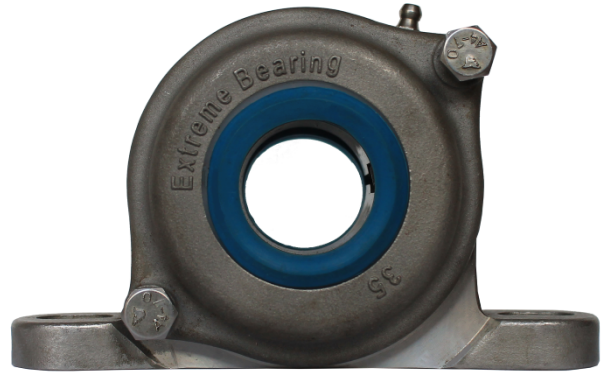
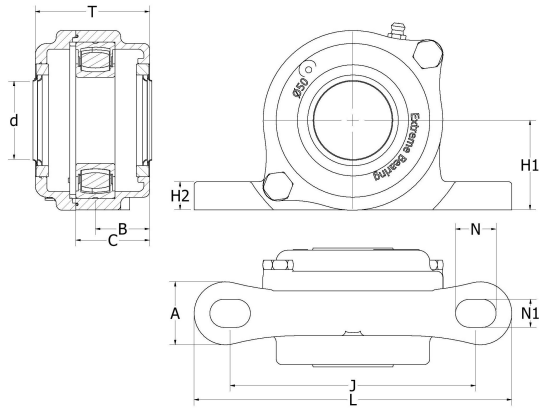
Used tolerance for shaft diameter is according ISO Passing System m5. With a wider passing, loctite is recommended.

Type	d		B	C	T	H	H1	H2	J	L	K	N	n1	Grease hole	Basic load rating in KN		Limiting speed RPM	Axial movement	Seal seat
	Metric	Imperial													Dynamic	Static			
EXSTC-025	30	1 2/11	25	44	54	73	36,5	12	102	130	30	20	12	M6	59	62	6300	3,5	42x7
EXSTC-030	35	1 17/45	26	48	60	85	42,9	12	118	152	35	24	14	M6	81	88	5300	3,5	47x7
EXSTC-035	40	1 23/40	28	50	60	94	47,6	13	126	160	35	21	14	M6	88	100	4800	3,5	52x7
EXSTC-040	45	1 3/4	28	51	62	98	49,2	15	136	175	37	25	14	M6	95	105	4500	3,5	62x7
EXSTC-045	50	1 31/32	32	57	69	107	54	15	144	187	37	23	14	M6	100	120	4000	4	62x7
EXSTC-050	55	2 1/6	34	60	73	114	57,2	18	157	203	40	26	18	M6	120	140	3800	4	72x7
EXSTC-055	60	2 25/69	34	62	74	127	63,5	18	172	219	44	28	18	M6	145	175	3400	4	72x7
EXSTC-060	65	2 52/93	36	66	79	139	69,8	20	191	240	49	30	18	M6	180	220	3000	4	82x7
EXSTC-065	75	2 20/21	71	42	91	155	76,2	20	203	257	55	35	22	1/8" BSP	190	250	2800	6	100x10
EXSTC-070	80	3 3/20	46	77	104	163	81,5 ²	20	210	266	60	30	25	1/8" BSP	210	275	2600	9	100x10
EXSTC-075	85	3 11/32	47	87	104	163	82,5	24	217	275	65	30	25	1/8" BSP	250	325	2400	12,5	110x12
EXSTC-080	90	3 25/46	48	84	104	187	95	27	232	292	70	35	25	1/8" BSP	305	410	2200	5	110x12
EXSTC-090	100	3 15/16	46	87	104	210	105 ²	28	262	327	85	35	27	1/8" BSP	375	500	2200	12	130x12
EXSTC-100	110	4 21/64	59	104	127	227	115	30	308	380	100	48	26	1/8" BSP	405	575	1700	10	130x12



EXSEC Pillow block bearing

Single row spherical cylindrical roller bearing



See **tabs below** for more types!

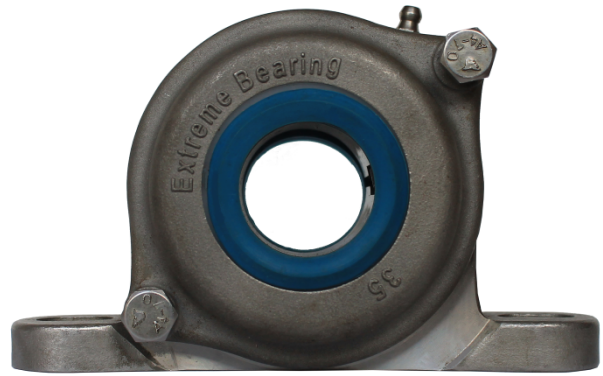
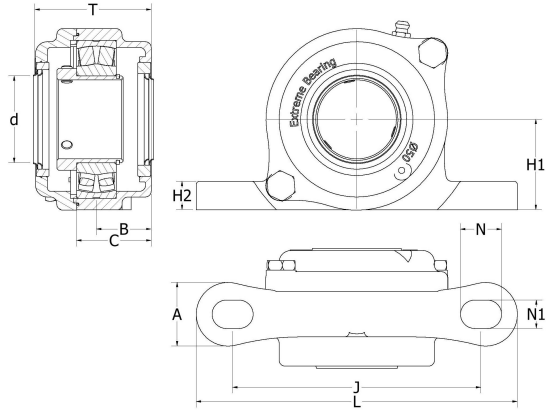
ft diameter is according ISO Passing System m5. With a wider passing, loctite is recommended.

Type	d		B	C	T	H	H1	H2	J	L	K	N	n1	Grease hole	Basic load rating in KN		Limiting speed RPM	Axial movement	Seal seat
	Metric	Imperial													Dynamic	Static			
EXSEC-025	30	1 2/11	25	44	54	73	36,5	12	102	130	30	20	12	M6	50	55	6300	3,5	42x7
EXSEC-030	35	1 17/45	26	48	60	85	42,9	12	118	152	35	24	14	M6	68	78	5300	3,5	47x7
EXSEC-035	40	1 23/40	28	50	60	94	47,6	13	126	160	35	21	14	M6	77	88	4800	3,5	52x7
EXSEC-040	45	1 3/4	28	51	62	98	49,2	15	136	175	37	25	14	M6	80	95	4500	3,5	62x7
EXSEC-045	50	1 31/32	32	57	69	107	54	15	144	187	37	23	14	M6	83	102	4000	4	62x7
EXSEC-050	55	2 1/6	34	60	73	114	57,2	18	157	203	40	26	18	M6	102	125	3800	4	72x7
EXSEC-055	60	2 25/69	34	62	74	127	63,5	18	172	219	44	28	18	M6	100	120	3400	4	72x7
EXSEC-060	65	2 52/93	36	66	79	139	69,8	20	191	240	49	30	18	M6	150	190	3000	4	82x7
EXSEC-065	75	2 20/21	71	42	91	155	76,2	20	203	257	55	35	22	1/8" BSP	160	200	2800	6	100x10
EXSEC-070	80	3 3/20	46	77	104	163	81,5 ²	20	210	266	60	30	25	1/8" BSP	170	220	2600	9	100x10
EXSEC-075	85	3 11/32	47	87	104	163	82,5	24	217	275	65	30	25	1/8" BSP	250	325	2400	12,5	110x12
EXSEC-080	90	3 25/46	48	84	104	187	95	27	232	292	70	35	25	1/8" BSP	210	270	2200	5	110x12
EXSEC-090	100	3 15/16	46	87	104	210	105 ²	28	262	327	85	35	27	1/8" BSP	310	420	2200	12	130x12
EXSEC-100	110	4 21/64	59	104	127	227	115	30	308	380	100	48	26	1/8" BSP	410	570	1700	10	130x12

See **tabs below** for more types!

EXSTV Pillow block bearing

Double spherical roller bearing with set screw mounting



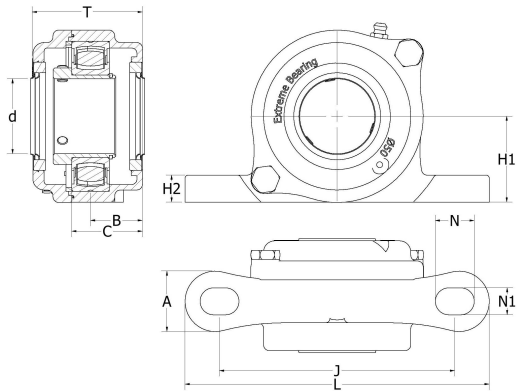
See tabs below for more types!

Type	d		B	C	T	H	H1	H2	J	L	K	N	n1	Grease hole	Basic load rating in KN		Limiting speed RPM	Axial movement	Seal seat
	Metric	Imperial													Dynamic	Static			
EXSTV-024	23,81	15/16																	
EXSTV-025	25	62/63	25	44	54	73	36,5	12	102	130	30	20	12	M6	59	62	6300	3,5	42x7
EXSTV-A25	25,4	1																	
EXSTV-028	28,57	1 1/8																	
EXSTV-030	30	1 2/11	26	48	60	85	42,9	12	118	152	35	24	14	M6	81	88	5300	3,5	47x7
EXSTV-A30	30,16	1 3/16																	
EXSTV-032	31,75	1 1/4																	
EXSTV-A35	34,9	1 3/8	28	50	60	94	47,6	13	126	160	35	21	14	M6	88	100	4800	3,5	52x7
EXSTV-035	35	1 17/45																	
EXSTV-037	36,51	1 7/16																	
EXSTV-038	38,1	1 1/2	28	51	62	98	49,2	15	136	175	37	25	14	M6	95	105	4500	3,5	62x7
EXSTV-040	40	1 23/40																	
EXSTV-043	42,86	1 11/16																	
EXSTV-044	44,45	1 3/4	32	57	69	107	54	15	144	187	37	23	14	M6	100	120	4000	4	62x7
EXSTV-045	45	1 3/4																	
EXSTV-049	49,2	1 15/16																	
EXSTV-050	50	1 31/32	34	60	73	114	57,2	18	157	203	40	26	18	M6	120	140	3800	4	72x7
EXSTV-051	50,8	2																	
EXSTV-054*	53,9	2 1/8	34	62	74	127	63,5	18	172	219	44	28	18	M6	145	175	3400	4	72x7
EXSTV-055*	55	2 1/6																	
EXSTV-056	55,56	2 3/16																	
EXSTV-057	57,15	2 1/4	36	66	79	139	69,8	20	191	240	49	30	18	M6	180	220	3000	4	82x7
EXSTV-060	60	2 25/69																	
EXSTV-062	61,91	2 7/16																	
EXSTV-064	63,5	2 1/2	71	42	91	155	76,2	20	203	257	55	35	22	1/8" BSP	190	250	2800	6	100x10
EXSTV-065	65	2 52/93																	
EXSTV-068	68,26	2 11/16																	
EXSTV-A70	69,85	2 3/4	46	77	104	163	81,5 ²	20	210	266	60	30	25	1/8" BSP	210	275	2600	9	100x10
EXSTV-070	70	2 65/86																	
EXSTV-A75	74,61	2 15/16																	
EXSTV-075	75	2 20/21	47	87	104	163	82,5	24	217	275	65	30	25	1/8" BSP	250	325	2400	12,5	110x12
EXSTV-076	76,2	3																	
EXSTV-080	80	3 3/20																	
EXSTV-081	80,9	3 3/16	48	84	104	187	95	27	232	292	70	35	25	1/8" BSP	305	410	2200	5	110x12
EXSTV-083	82,55	3 1/4																	

EXSTV-087	87,31	3 7/16																		
EXSTV-089	88,9	3 1/2	46	87	104	210	105 ²	28	262	327	85	35	27	1/8" BSP	375	500	2200	12	130x12	
EXSTV-090	90	3 25/46																		
EXSTV-100	100	3 15/16	59	104	127	227	115	30	308	380	100	48	26	1/8" BSP	405	575	1700	10	130x12	

ESEV Pillow block bearing

Single row spherical roller bearing with set screw mounting



See **tabs below** for more types!

Type	d		B	C	T	H	H1	H2	J	L	K	N	n1	Grease hole	Basic load rating in KN		Limiting speed RPM	Axial movement	Seal seat
	Metric	Imperial													Dynamic	Static			
ESSEV-024	23,81	15/16																	
ESSEV-025	25	62/63	25	44	54	73	36,5	12	102	130	30	20	12	M6	50	55	6300	3,5	42x7
ESSEV-A25	25,4	1																	
ESSEV-028	28,57	1 1/8																	
ESSEV-030	30	1 2/11	26	48	60	85	42,9	12	118	152	35	24	14	M6	68	78	5300	3,5	47x7
ESSEV-A30	30,16	1 3/16																	
ESSEV-032	31,75	1 1/4																	
ESSEV-A35	34,9	1 3/8	28	50	60	94	47,6	13	126	160	35	21	14	M6	77	88	4800	3,5	52x7
ESSEV-035	35	1 17/45																	
ESSEV-037	36,51	1 7/16																	
ESSEV-038	38,1	1 1/2	28	51	62	98	49,2	15	136	175	37	25	14	M6	80	95	4500	3,5	62x7
ESSEV-040	40	1 23/40																	
ESSEV-043	42,86	1 11/16																	
ESSEV-044	44,45	1 3/4	32	57	69	107	54	15	144	187	37	23	14	M6	83	102	4000	4	62x7
ESSEV-045	45	1 3/4																	
ESSEV-049	49,2	1 15/16																	
ESSEV-050	50	1 31/32	34	60	73	114	57,2	18	157	203	40	26	18	M6	102	125	3800	4	72x7
ESSEV-051	50,8	2																	
ESSEV-054*	53,9	2 1/8	34	62	74	127	63,5	18	172	219	44	28	18	M6	100	120	3400	4	72x7
ESSEV-055*	55	2 1/6																	
ESSEV-056	55,56	2 3/16																	
ESSEV-057	57,15	2 1/4	36	66	79	139	69,8	20	191	240	49	30	18	M6	150	190	3000	4	82x7
ESSEV-060	60	2 25/69																	
ESSEV-062	61,91	2 7/16																	
ESSEV-064	63,5	2 1/2	71	42	91	155	76,2	20	203	257	55	35	22	1/8" BSP	160	200	2800	6	100x10
ESSEV-065	65	2 52/93																	
ESSEV-068	68,26	2 11/16																	
ESSEV-A70	69,85	2 3/4	46	77	104	163	81,5 ²	20	210	266	60	30	25	1/8" BSP	170	220	2600	9	100x10
ESSEV-070	70	2 65/86																	
ESSEV-A75	74,61	2 15/16																	
ESSEV-075	75	2 20/21	47	87	104	163	82,5	24	217	275	65	30	25	1/8" BSP	250	325	2400	12,5	110x12
ESSEV-076	76,2	3																	
ESSEV-080	80	3 3/20																	
ESSEV-081	80,9	3 3/16	48	84	104	187	95	27	232	292	70	35	25	1/8" BSP	210	270	2200	5	110x12
ESSEV-083	82,55	3 1/4																	

ESSEV-087	87,31	3 7/16																		
ESSEV-089	88,9	3 1/2	46	87	104	210	105 ²	28	262	327	85	35	27	1/8" BSP	310	420	2200	12	130x12	
ESSEV-090	90	3 25/46																		
ESSEV-100	100	3 15/16	59	104	127	227	115	30	308	380	100	48	26	1/8" BSP	410	570	1700	10	130x12	

