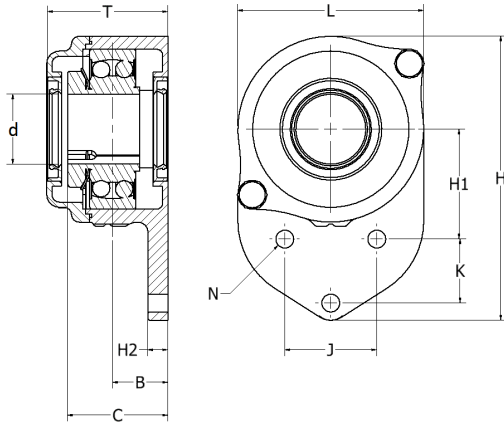




EXLT 3-bolt bracket flange bearing

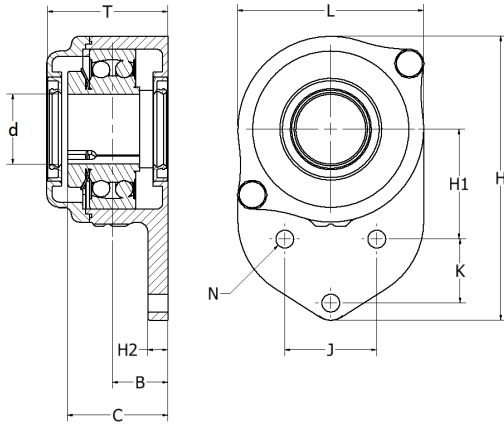
Double spherical roller bearing + adapter



Typ	d		B	C	T	H2	J	L	H	H1	K	N	Grease hole	Basic load rating in KN		Limiting speed RPM	Axial movement	Seal seat
	Metric	Imperial												Dynamic	Static			
EXLT-024	23,81	15/16	25	44	54	12	41,3	73	124	46	28,6	12	M6	59	62	6300	3,5	42x7
EXLT-025	25	62/63																
EXLT-A25	25,4	1																
EXLT-028	28,57	1 1/8	26	48	60	12	40	84	130	50	29	12	M6	81	88	5300	3,5	47x7
EXLT-030	30	1 2/11																
EXLT-A30	30,16	1 3/16																
EXLT-032	31,75	1 1/4	28	50	60	12	46	93	147	55	32	13	M6	88	100	4800	3,5	52x7
EXLT-A35	34,9	1 3/8																
EXLT-035	35	1 17/45																
EXLT-037	36,51	1 7/16	28	51	62	10	58	98	169	60	41	12	M6	95	105	4500	3,5	62x7
EXLT-038	38,1	1 1/2																
EXLT-040	40	1 23/40																

EXLE 3-bolt bracket flange bearing

Single row spherical roller bearing + adapter

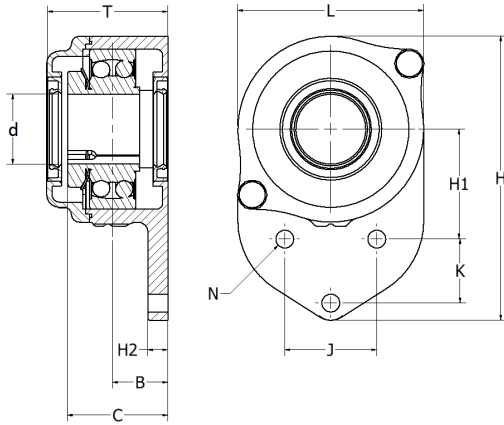


Typ	d		B	C	T	H2	J	L	H	H1	K	N	Grease hole	Basic load rating in KN		Limiting speed RPM	Axial movement	Seal seat
	Metric	Imperial												Dynamic	Static			
EXLE-024	23,81	15/16	25	44	54	12	41,3	73	124	46	28,6	12	M6	50	55	6300	3,5	42x7
EXLE-025	25	62/63																
EXLE-A25	25,4	1																
EXLE-028	28,57	1 1/8	26	48	60	12	40	84	130	50	29	12	M6	68	78	5300	3,5	47x7
EXLE-030	30	1 2/11																
EXLE-A30	30,16	1 3/16																
EXLE-032	31,75	1 1/4	28	50	60	12	46	93	147	55	32	13	M6	77	88	4800	3,5	52x7
EXLE-A35	34,9	1 3/8																
EXLE-035	35	1 17/45																
EXLE-037	36,51	1 7/16	28	51	62	10	58	98	169	60	41	12	M6	80	95	4500	3,5	62x7
EXLE-038	38,1	1 1/2																
EXLE-040	40	1 23/40																



EXLTC 3-bolt bracket flange bearing

Double spherical cylindrical roller bearing



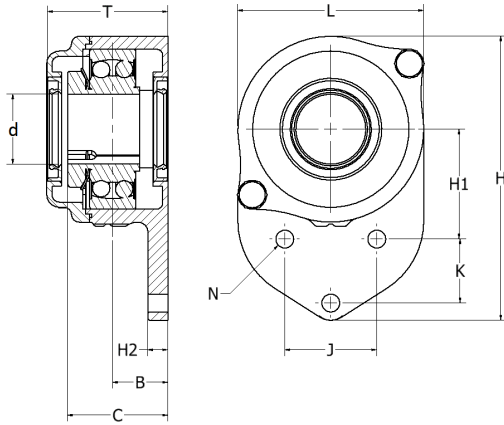
Used tolerance for shaft diameter is according ISO Passing System m5. With a wider passing, loctite is recommended.

Typ	d		B	C	T	H2	J	L	H	H1	K	N	Grease hole	Basic load rating in KN		Limiting speed RPM	Axial movement	Seal seat
	Metric	Imperial												Dynamic	Static			
EXLTC-025	30	1 2/11	25	44	54	12	41,3	73	124	46	28,6	12	M6	59	62	6300	3,5	42x7
EXLTC-030	35	1 17/45	26	48	60	12	40	84	130	50	29	12	M6	81	88	5300	3,5	47x7
EXLTC-035	40	1 23/40	28	50	60	12	46	93	147	55	32	13	M6	88	100	4800	3,5	52x7
EXLTC-040	45	1 3/4	28	51	62	10	58	98	169	60	41	12	M6	95	105	4500	3,5	62x7



EXLEC 3-bolt bracket flange bearing

Single row spherical cylindrical roller bearing



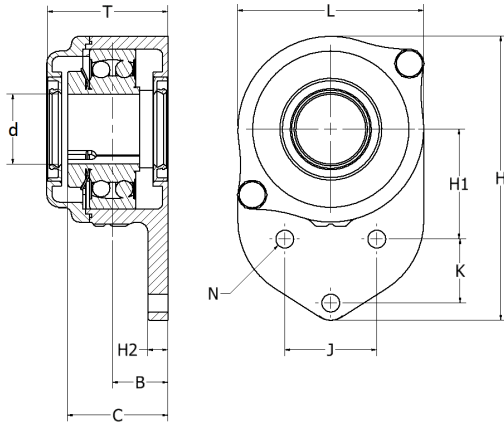
Used tolerance for shaft diameter is according ISO Passing System m5. With a wider passing, loctite is recommended.

Typ	d		B	C	T	H2	J	L	H	H1	K	N	Grease hole	Basic load rating in KN		Limiting speed RPM	Axial movement	Seal seat
	Metric	Imperial												Dynamic	Static			
EXLEC-025	30	1 2/11	25	44	54	12	41,3	73	124	46	28,6	12	M6	50	55	6300	3,5	42x7
EXLEC-030	35	1 17/45	26	48	60	12	40	84	130	50	29	12	M6	68	78	5300	3,5	47x7
EXLEC-035	40	1 23/40	28	50	60	12	46	93	147	55	32	13	M6	77	88	4800	3,5	52x7
EXLEC-040	45	1 3/4	28	51	62	10	58	98	169	60	41	12	M6	80	95	4500	3,5	62x7



EXLTV 3-bolt bracket flange bearing

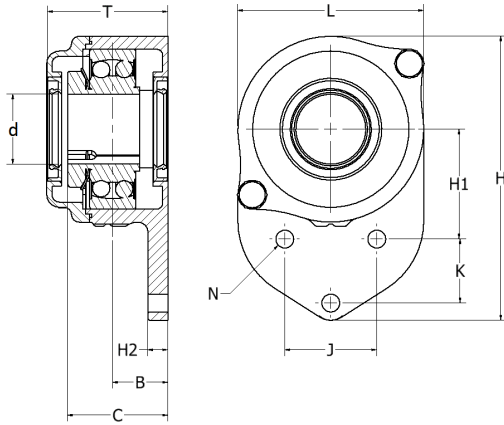
Double spherical roller bearing with set screw mounting



Typ	d		B	C	T	H2	J	L	H	H1	K	N	Grease hole	Basic load rating in KN		Limiting speed RPM	Axial movement	Seal seat
	Metric	Imperial												Dynamic	Static			
EXLTV-024	23,81	15/16	25	44	54	12	41,3	73	124	46	28,6	12	M6	59	62	6300	3,5	42x7
EXLTV-025	25	62/63																
EXLTV-A25	25,4	1																
EXLTV-028	28,57	1 1/8	26	48	60	12	40	84	130	50	29	12	M6	81	88	5300	3,5	47x7
EXLTV-030	30	1 2/11																
EXLTV-A30	30,16	1 3/16																
EXLTV-032	31,75	1 1/4	28	50	60	12	46	93	147	55	32	13	M6	88	100	4800	3,5	52x7
EXLTV-A35	34,9	1 3/8																
EXLTV-035	35	1 17/45																
EXLTV-037	36,51	1 7/16	28	51	62	10	58	98	169	60	41	12	M6	95	105	4500	3,5	62x7
EXLTV-038	38,1	1 1/2																
EXLTV-040	40	1 23/40																

EXLEV 3-bolt bracket flange bearing

Single row spherical roller bearing with set screw mounting



Typ	d		B	C	T	H2	J	L	H	H1	K	N	Grease hole	Basic load rating in KN		Limiting speed RPM	Axial movement	Seal seat
	Metric	Imperial												Dynamic	Static			
EXLEV-024	23,81	15/16	25	44	54	12	41,3	73	124	46	28,6	12	M6	50	55	6300	3,5	42x7
EXLEV-025	25	62/63																
EXLEV-A25	25,4	1																
EXLEV-028	28,57	1 1/8	26	48	60	12	40	84	130	50	29	12	M6	68	78	5300	3,5	47x7
EXLEV-030	30	1 2/11																
EXLEV-A30	30,16	1 3/16																
EXLEV-032	31,75	1 1/4	28	50	60	12	46	93	147	55	32	13	M6	77	88	4800	3,5	52x7
EXLEV-A35	34,9	1 3/8																
EXLEV-035	35	1 17/45																
EXLEV-037	36,51	1 7/16	28	51	62	10	58	98	169	60	41	12	M6	80	95	4500	3,5	62x7
EXLEV-038	38,1	1 1/2																
EXLEV-040	40	1 23/40																

