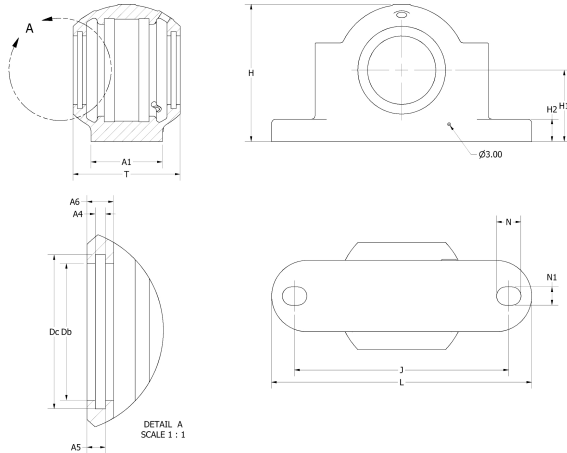




Technical datasheet

Imperial

EBL split plummer block bearing



Shaft Imperial	Type	T	H	H ¹	J	L	N	N ¹	Ca	A ₄	A ₄	A ₆	Db	Dc	A ₁	Bearing	Adapter	Lockring 2x
30	EBL-508	85	103	60	170	205	20	15	80	5	8	11	52	60	60	1307 EKTN9		FRB 9/80
																21307 CCK		FRB 4/80
																2307 EKTN9		FRB 10.5/80
35	EBL-508	85	103	60	170	205	20	15	80	5	8	11	52	60	60	1208 EKTN9		FRB 8/80
																2208 EKTN9		FRB 5.5/72
																BS2-2208-2CSK/VT143		FRB 8/80
																C 2208 KTN9		FRB 5.5/85
																22209 EK		FRB 3.5/85
40	EBL-509	85	109	60	170	205	20	15	85	5	9	12	57	65	60	BS2-2209-2CSK/VT143		FRB 1/85
																C 2209KTN9		FRB 3.5/85
																1309 EKTN9		FRB 9.5/100
																21309 EK		FRB 4/100
																2309 EKTN9		FRB 10.5/90
45	EBL-510	90	113	60	170	205	20	15	90	5	9	12	62	71	60	2210 EKTN9		FRB 9/90
																22210 EK		FRB 6.5/90
																BS2-2210-2CSK/VT143		FRB 10.5/110
																C 2210KTN9		FRB 4/110
																1310 EKTN9		FRB 11.5/90
50	EBL-511	95	128	70	210	255	24	18	100	5	9	12	67	76	70	2211 EKTN9		FRB 9.5/100
																22211 EK		FRB 6.5/100
																BS2-2211-2CSK/VT143		FRB 9.5/100
																C 2211KTN9		FRB 6.5/100
																1311 EKTN9		FRB 9.5/100
55	EBL-512	105	134	70	210	255	24	18	110	5	9	12	72	81	70	2310 EKTN9		FRB 12.5/130
																22310 EK		FRB 5/130
																1212 EKTN9		FRB 13/110
																2212 EKTN9		FRB 7/110
																22212 EK		FRB 10/110
55	EBL-513	110	149	80	230	275	24	18	120	5	9	13	77	86	80	BS2-2212-2CSK/VT143		FRB 12.5/130
																C 2212KTN9		FRB 5/130
																1312 EKTN9		FRB 12.5/130
																21312 EK		FRB 12.5/130
																2312 EKTN9		FRB 12.5/130

60	EBL-513	110	149	80	230	275	24	18	120	5	9	13	77	86	80	22312 EK		
																1213 EKTN9		FRB 14/120
																2213 EKTN9		FRB 10/110
																22213 EKTN9		FRB 6.5/110
																BS2-2213-2CSK/VT143		FRB 10/120
	EBL-516N Not Standard	120	177	95	320	380	28	22	140	5	9	13	93	101	90	1313 EKTN9		FRB 12.5/140
																21313 EK		
																2313 EK		FRB 5/140
																22313 EK		
	EBL-516	120	177	95	260	315	28	22	140	5	9	13	93	101	90	1313 EKTN9		FRB 12.5/140
																21313 EK		
																2313 EK		FRB 5/140
22313 EK																		
65	EBL-515	115	155	80	230	280	24	18	130	5	9	13	87	96	80	1215 EKTN9		FRB 15.5/130
																2215 EKTN9		FRB 12.5/130
																22215 EKTN9		FRB 9/130
																BS2-2215-2CSK/VT143		FRB 12.5/130
																C 2215KTN9		
	EBL-518	140	194	100	290	345	28	22	160	5	9	13	103	111	100	1315 EKTN9		FRB 14/160
																21315 EK		
																2315 K		FRB 5/140
																22315 EK		FRB 5/160
																2315 K		FRB 16/140
																1216 K		FRB 9/140
																BS2-2216-2CSK/VT143		
EBL-516	120	177	95	260	315	28	22	140	5	9	13	93	101	90	2216 EKTN9		FRB 12.5/140	
															C2216 K			
															1316 K		FRB 14.5/170	
															21316 EK			
															2316 K		FRB 5/170	
EBL-519	145	212	112	290	345	28	22	170	6	10	14	131	141	100	22316 EK			
															C 2316 K			
															1217 K		FRB 16.5/150	
															2217 K		FRB 12.5/150	
															22217 EK		FRB 8.5/150	
EBL-517	125	183	95	290	320	28	22	150	6	9	13	98	106	90	C 2217 K			
															BS2-2217-2CSK/VT143			
															1317 K		FRB 14.5/180	
															21317 EK			
															2317 K		FRB 5/180	
EBL-520	160	218	112	320	380	32	26	180	6	10	14	138	148	110	C 2317 K			
															1218 EK		FRB 17.5/160	
															21318 EK		FRB 6.25/160	
															2218 K		FRB 12.5/160	
															22218 EK			
EBL-518	140	194	100	290	345	28	22	160	6	9	13	103	111	100	C2218 K			
															BS2-2218-2CSK/VT143		FRB 8.5/161	
															1219 K		FRB 18/170	
															2219 KM			
															22219 EK		FRB 12.5/170	
EBL-519	145	212	112	290	345	28	22	170	6	10	14	131	141	100	C2219 K			
															1319 K		FRB 17.5/200	
															21319 EK			
															2319 KM			
															22319 EK		FRB 6.5/200	
EBL-522	175	242	125	320	410	32	26	200	6	10	14	148	158	120	C 2319 K			
															1220 K		FRB 18/180	
															23220 CCK/W33		FRB 4.85/180	
															2220 KM			
															22220 EK		FRB 12/180	
EBL-520	160	218	112	320	380	32	26	180	6	10	14	138	148	110	C 2220 K			
															BS2-2220-2CSK/VT143		FRB 7.5/180	
															1320 K		FRB 19.5/215	
															21320 EK			
															2320 KM			
EBL-524	185	271	140	350	410	32	26	215	6	11	15	158	168	12	22320 EK		FRB 6.5/215	
															C 2320 K			
															1222 K		FRB 21/200	
															23222 CCK/W33		FRB 5.1/200	

100	EBL-522	175	242	125	320	410	32	26	200	6	10	14	148	158	120	2222 KM		FRB 13.5/200
																22222 EK		FRB 8.5/200
																BS2-2222-2CS5K/VT143		FRB 13.5/200
																C 2222 K		FRB 22/215
110	EBL-524	185	271	140	350	410	32	26	215	6	11	15	158	168	12	1224 KM		FRB 5/215
																23224 CCK/W33		FRB 14/215
																C 3224 K		FRB 8.5/215
																22224 EK		FRB 14/215
																C 2224 K		FRB 8.5/215
															BS2-2224-2CS5K/VT143		FRB 8.5/215	